

General specifications: 115 CDI

Engine

Type Diesel turbo and intercooled (OM646DELA)
 Cylinders/arrangements 4/in-line
 Cam arrangement Twin overhead camshafts
 Valves 16
 Displacement 2 148 cm³
 Bore/Stroke 88,0/88,4mm
 Compression ratio 19:1
 Maximum output 110 kW @ 3 800 r/min
 Maximum torque 330 Nm @ 1 800 - 2 400 r/min
 Fuel supply Common rail diesel injection (CDI)
 Fuel/water separator Yes

Transmission

Type 6-speed manual
 Ratios: 1st gear 5,014
 2nd gear 2,831
 3rd gear 1,789
 4th gear 1,256
 5th gear 1,000
 6th gear 0,797
 Reverse gear 4,569
 Final drive 3,455

Drive Rear-wheel drive

Clutch

Type single-plate dry clutch, hydraulically actuated self-adjusting
 Dia. of clutch disc 240 mm

Steering

Type Power assisted rack-and-pinion

Brakes

Service brake Disc brakes front and rear
 Parking brake Yes

Suspension

Front Independant with McPherson struts and stabiliser, coil springs and shock absorbers
 Rear Independant with coil springs, semi-trailing arms and telescopic shock absorbers

Fuel tank

Capacity Approximately 75 litres

Electrical system

System voltage 12V
 Battery 12V / 74Ah
 Alternator 14V / 200Ah

Wheels

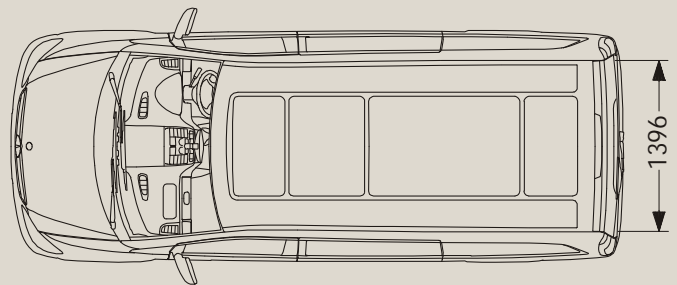
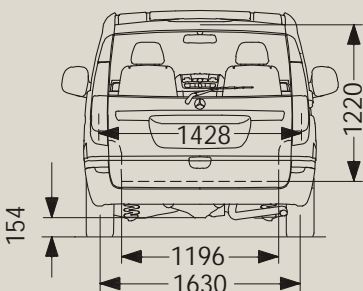
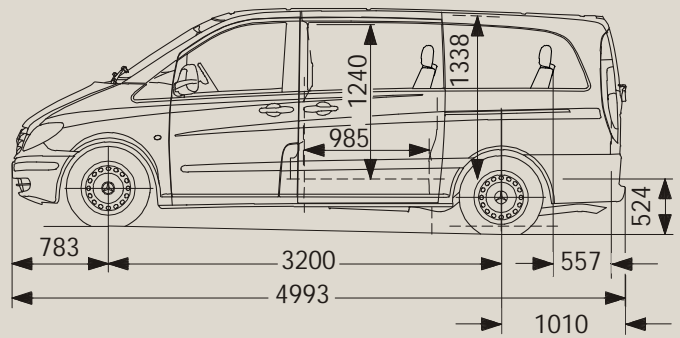
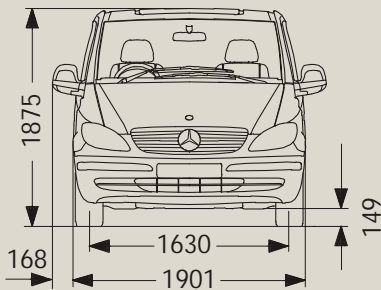
Rims 6,5J x 16 steel
 Tyres 205/65 R16

Dimensions

Load volume 0,735 m³
 Sliding door opening (W x H) 985 x 1 240 mm
 Tailgate opening (W X H) 1 196 x 1 220 mm
 Turning circle (dia. kerb to kerb) 11,8 m

Masses (kg)

Front axle tare 1 095
 Rear axle tare 815
 Total tare 1 910
 Payload 1 030
 Front axle load (permissible) 1 550
 Rear axle load (permissible) 1 550
 Gross vehicle mass 2 940
 Gross combination mass 3 800
 Towed mass unbraked 750



Please consult your Mercedes-Benz dealer for final specification details and for information about the standard and optional equipment which apply.